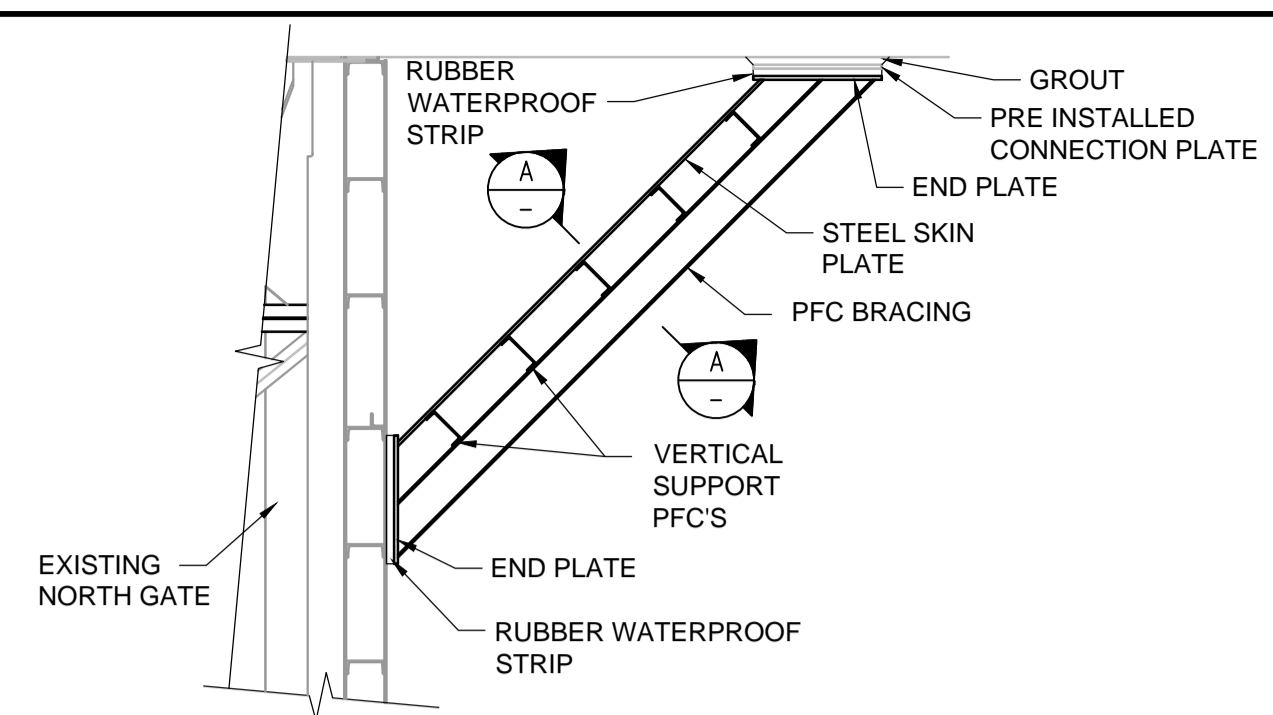
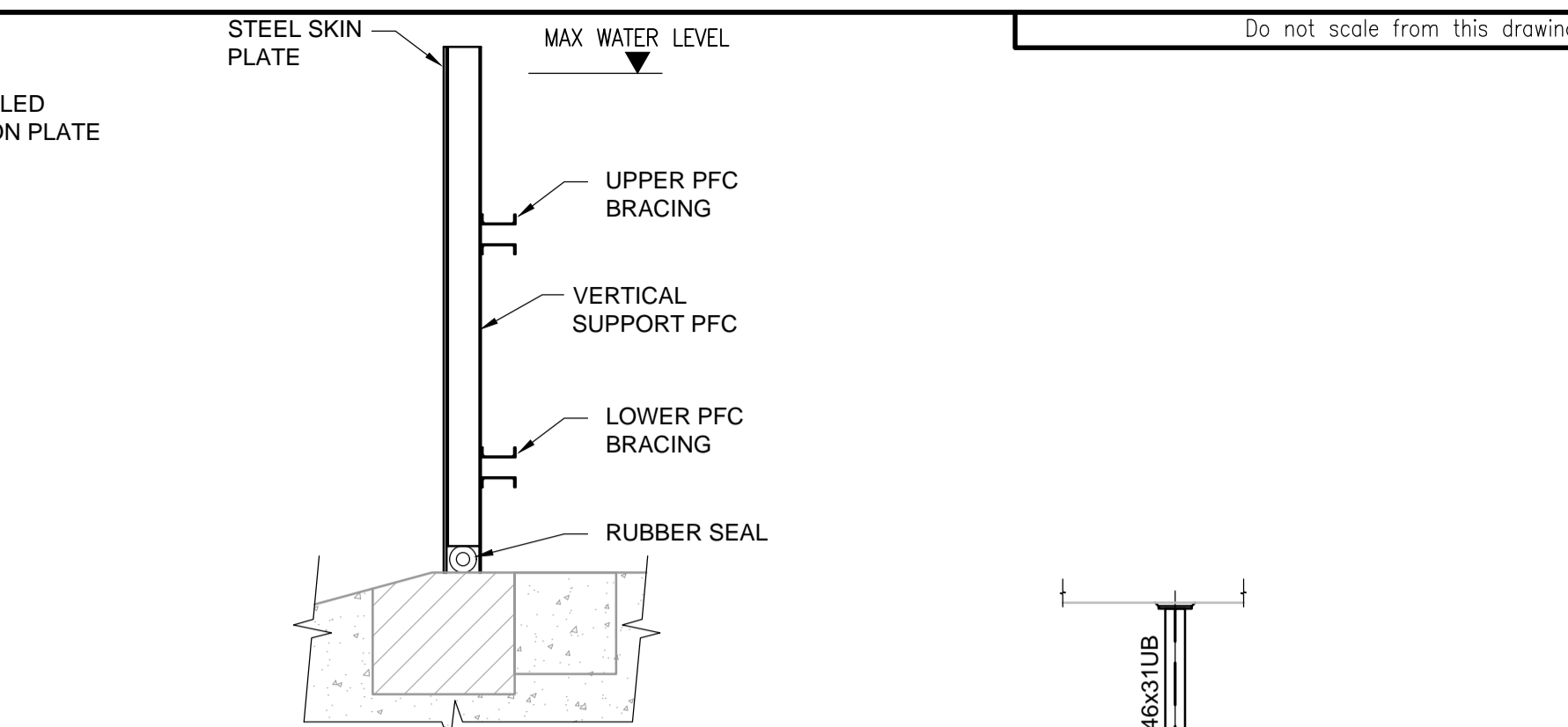


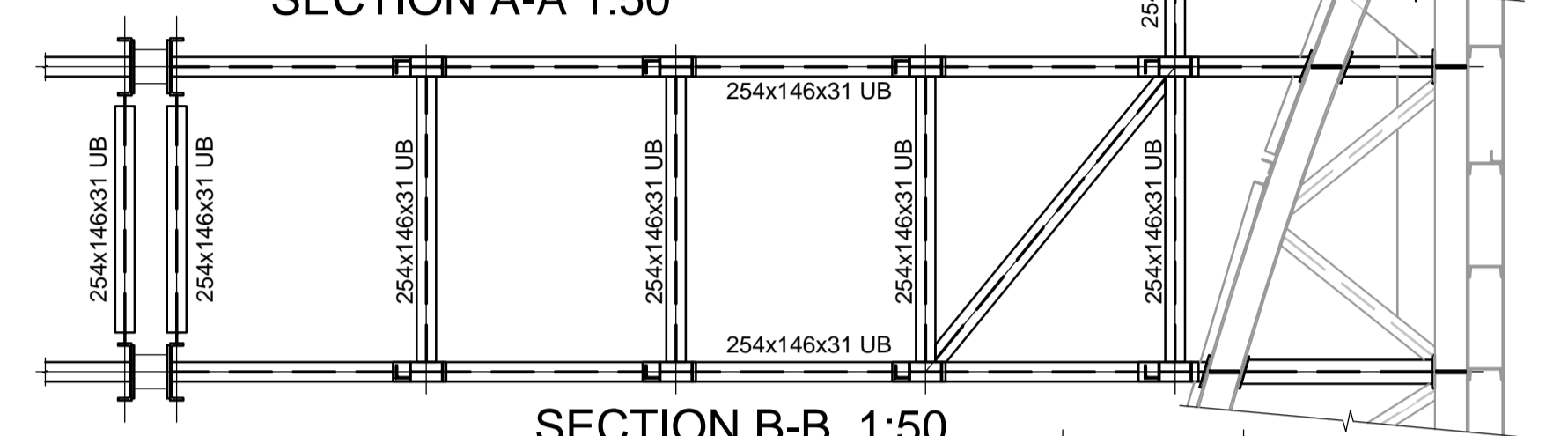
PLAN AT NORTH GATE SCALE 1:100



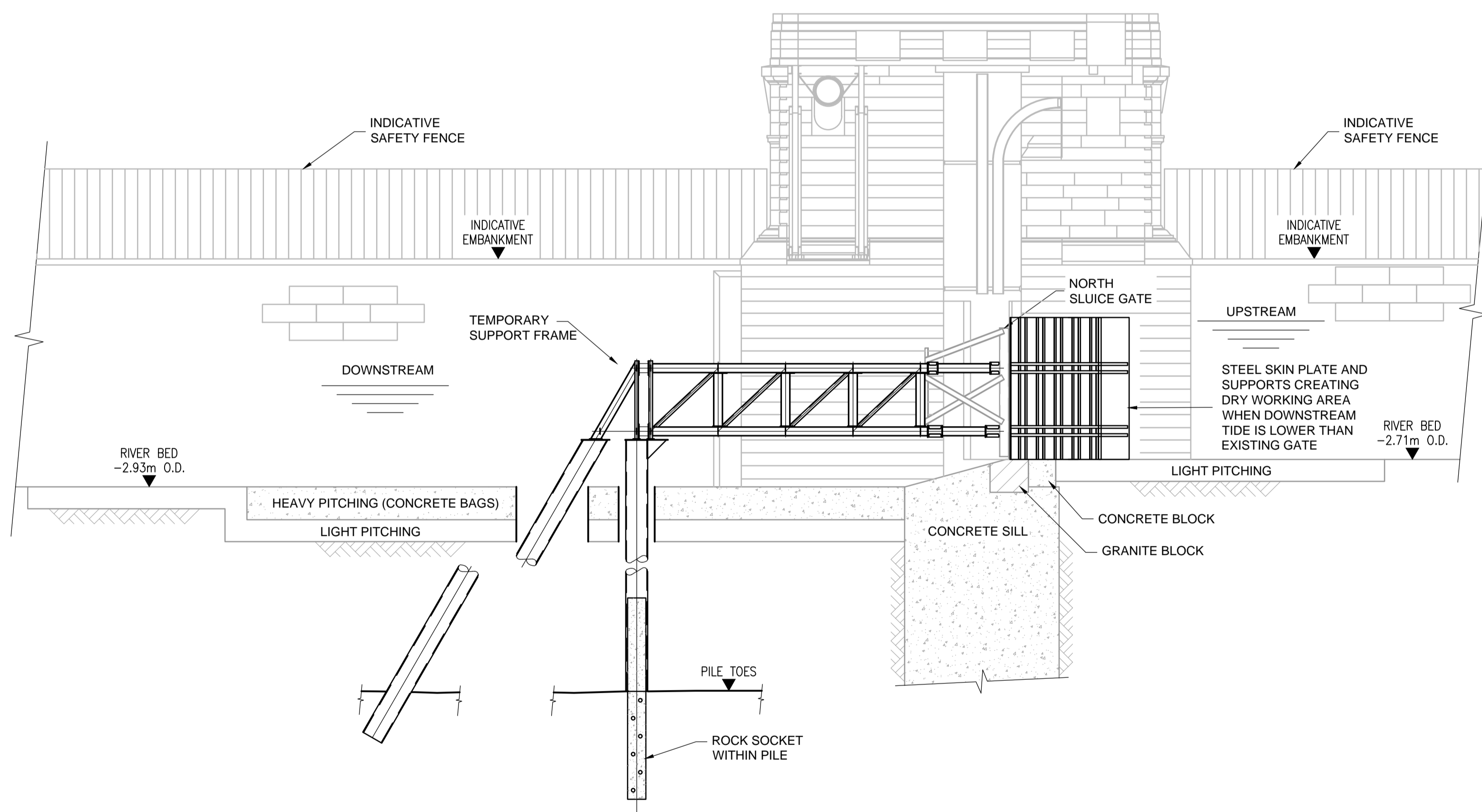
PLAN OF PROPOSED DRY WORKING AREA 1:50



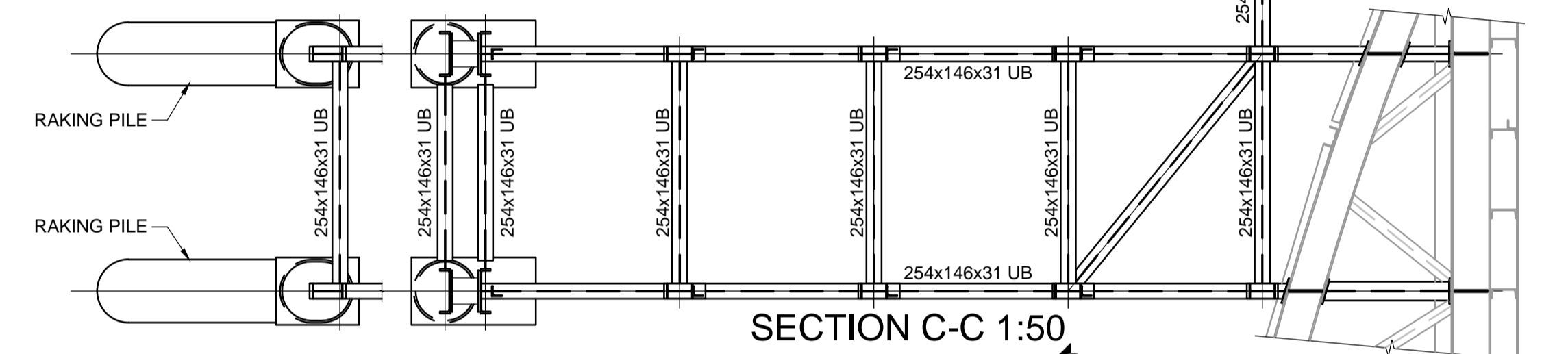
SECTION A-A 1:50



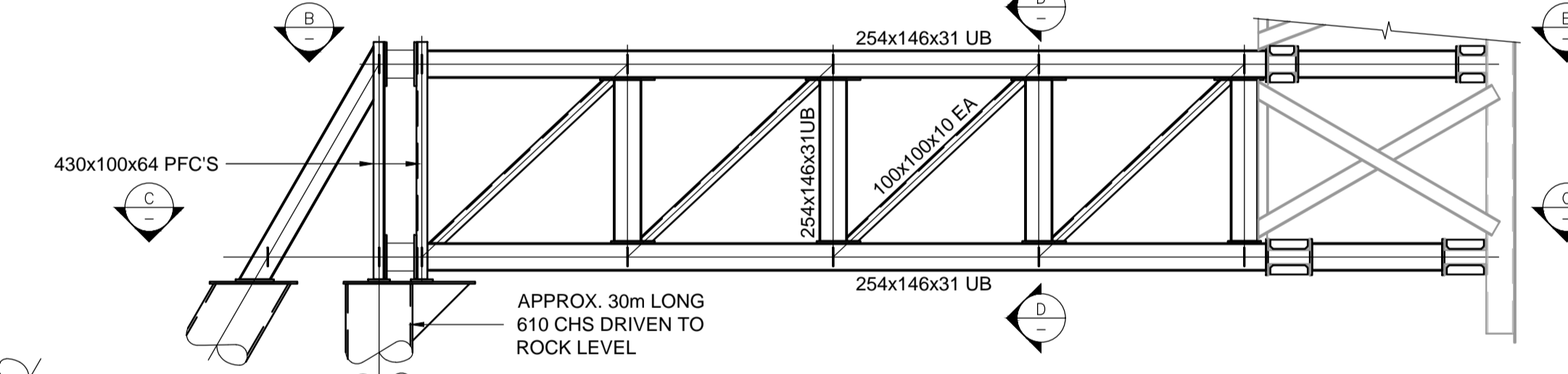
SECTION B-B 1:50



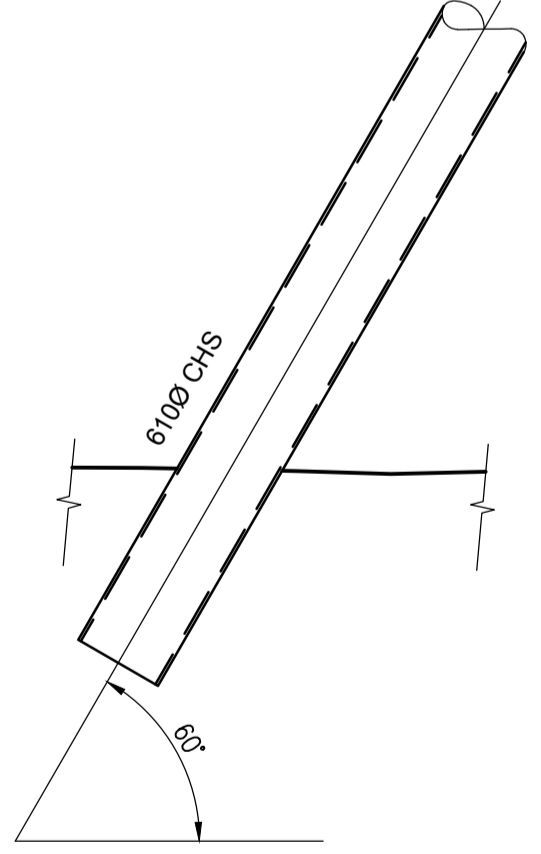
TYPICAL SECTION THROUGH NORTH GATE SCALE 1:100



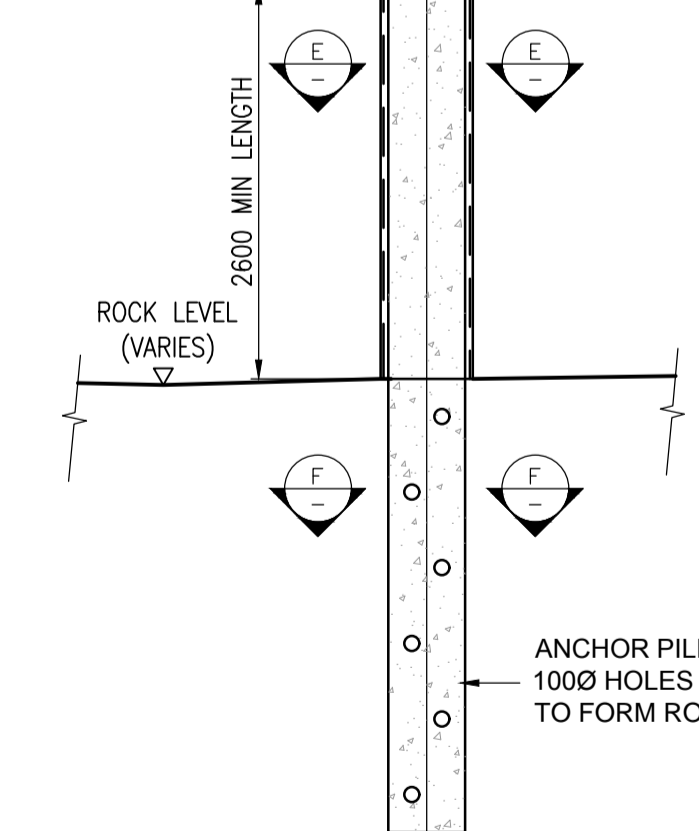
SECTION C-C 1:50



SECTION D-D 1:50



TYP SECTION THROUGH PROPOSED FRAME 1:50



SECTION E-E

SECTION F-F

Rev.	Date	Description	Drawn	Checked	Approved
A	26/02/19	TEMPORARY FRAME REVISED AND ROCK SOCKET ADDED	GAM	CW	GSDS

Notes:

DRAFT

Client: 

Project Title: TIDAL WEIR

Scale at A1: AS SHOWN

Status: Preliminary

Drawing Title: PROPOSED WORKS

Drawn: GAM	Checked: CW	Approved: GSDS
Date: 11/01/2019	Date: 11/01/2019	Date: 11/01/2019

FAIRHURST

225 Bath Street,
GLASGOW G2 4EJ
Tel: 0141 204 8800 Fax: 0141 204 8801

Scale at A1: AS SHOWN

Status: Preliminary

Drawn: GAM

Checked: CW

Approved: GSDS

Date: 11/01/2019

Date: 11/01/2019

Date: 11/01/2019

Drawing No.: 126177-AIP-0004

Revision: A